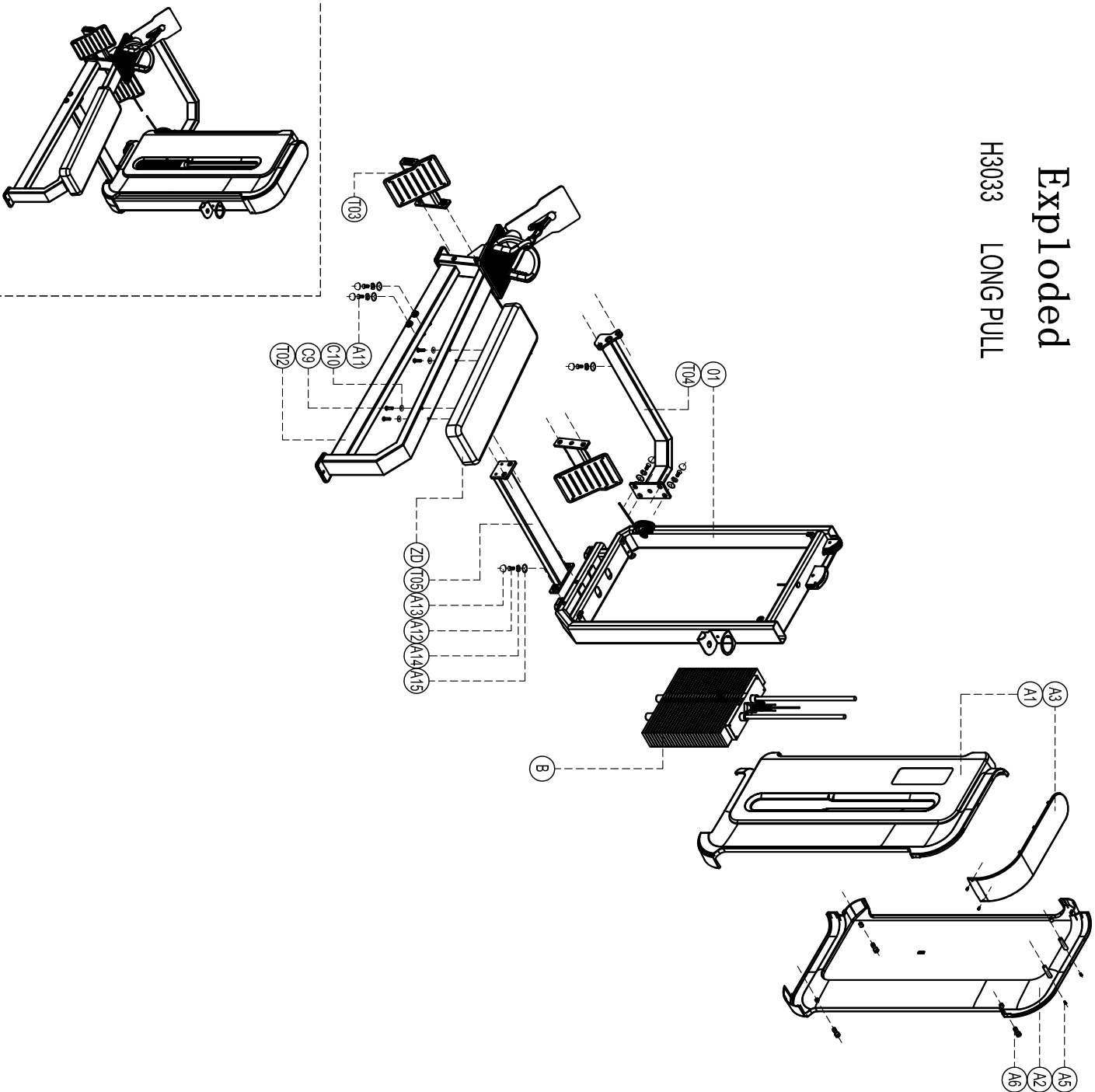


Exploded

H3033 LONG PULL



please note :parts didn't demolition part
and fasteners not listed on the introduction

Number	Name	Quantity
C10	Flat washer $\phi 8$	4
C9	Cup head inner hex screw M8x35	4
B	weight stack set	1
A15	Gasket DQ03	16
A14	Spring washer $\phi 12$	16
A13	Screw cap S208	16
A12	Outer hex screw M12x35	14
A11	Outer hex screw M12x70	2
A6	Cup head inner hex screw M5x15	8
A5	Cup head cross tapping screw S13x8	4
A3	Top cover	1
A2	Back shroud	1
A1	Front shroud	1
ZD	Upholstery	1
T05	Connector	1
T04	Front connector	1
T03	Small footrest	2
T02	Main frame	1
01	Door frame	1